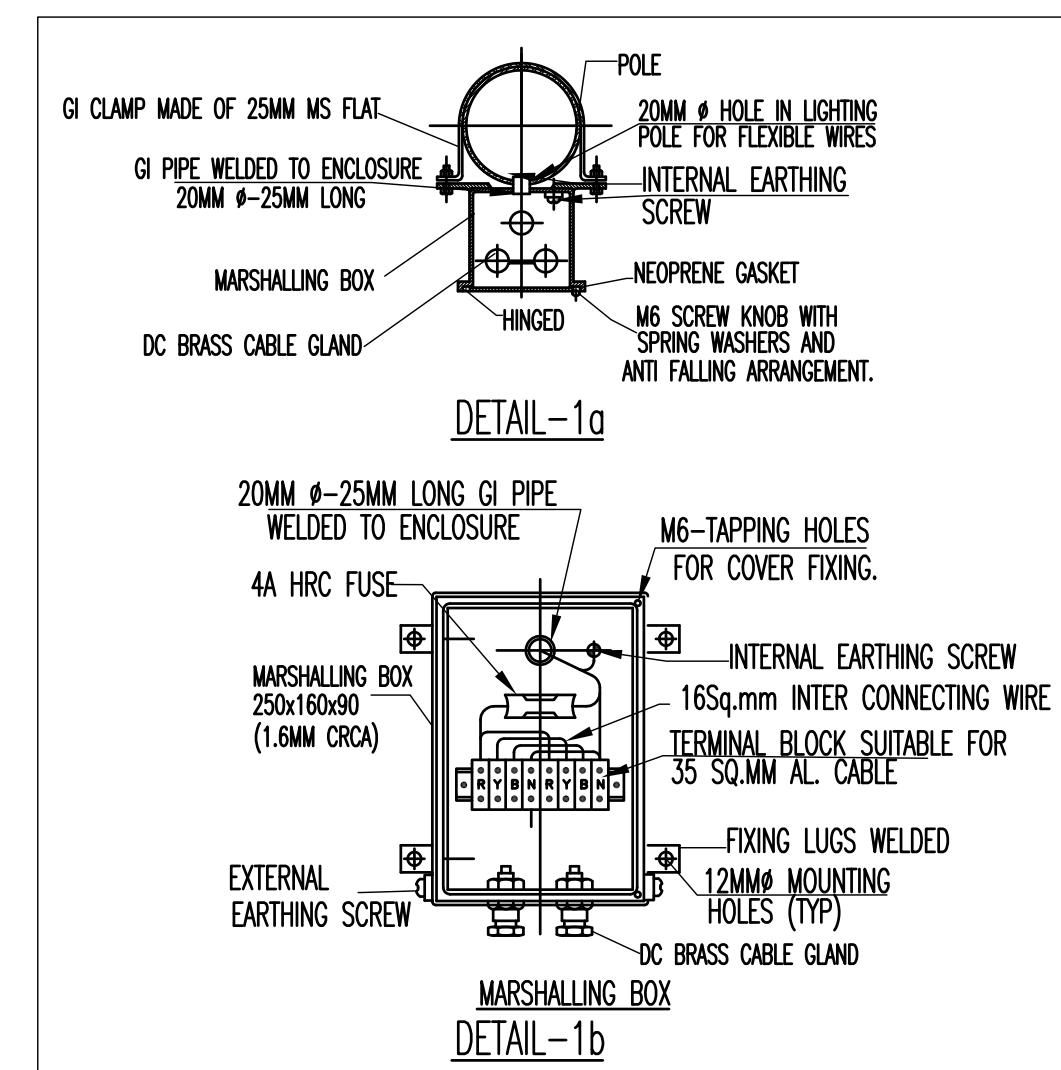
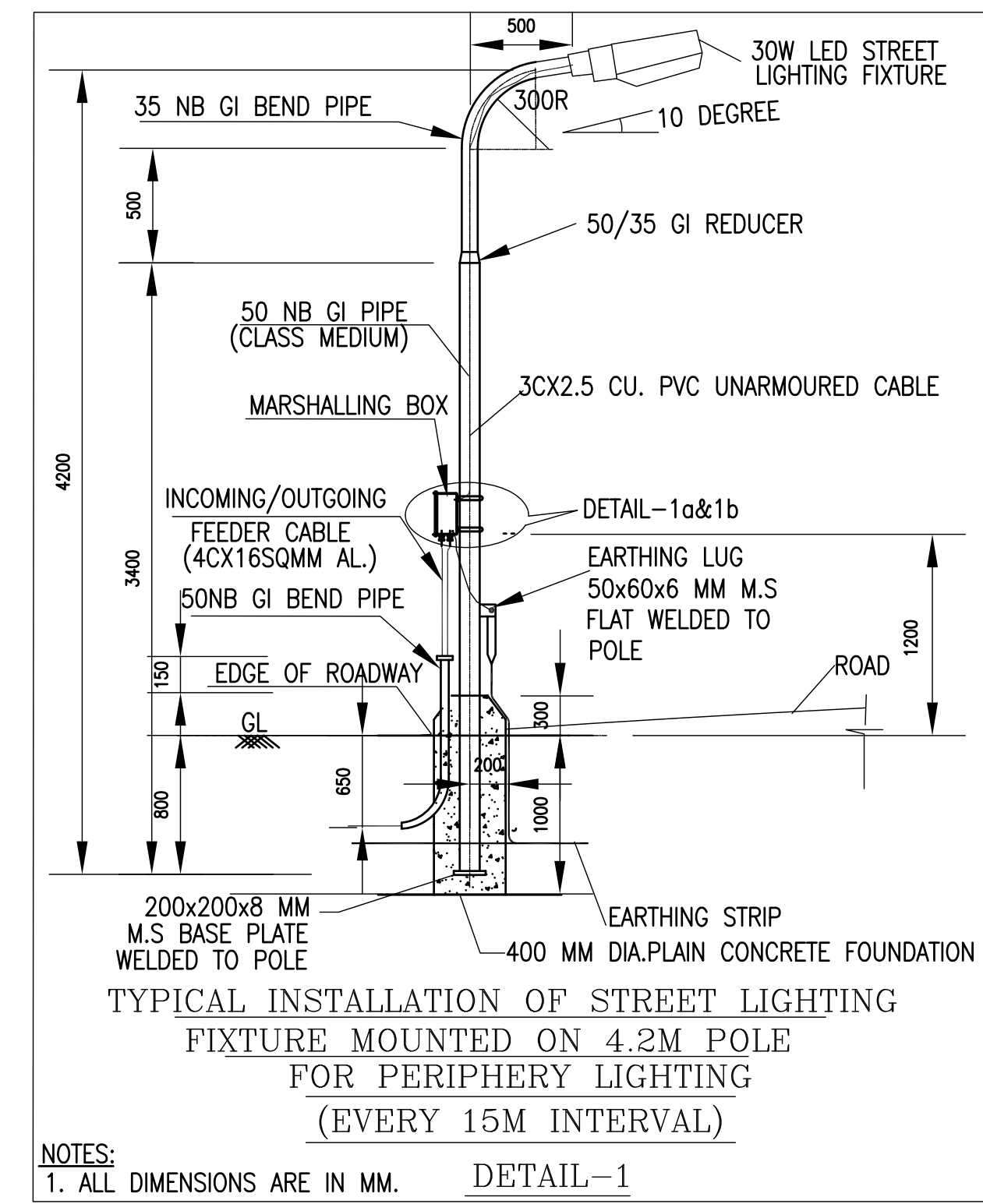
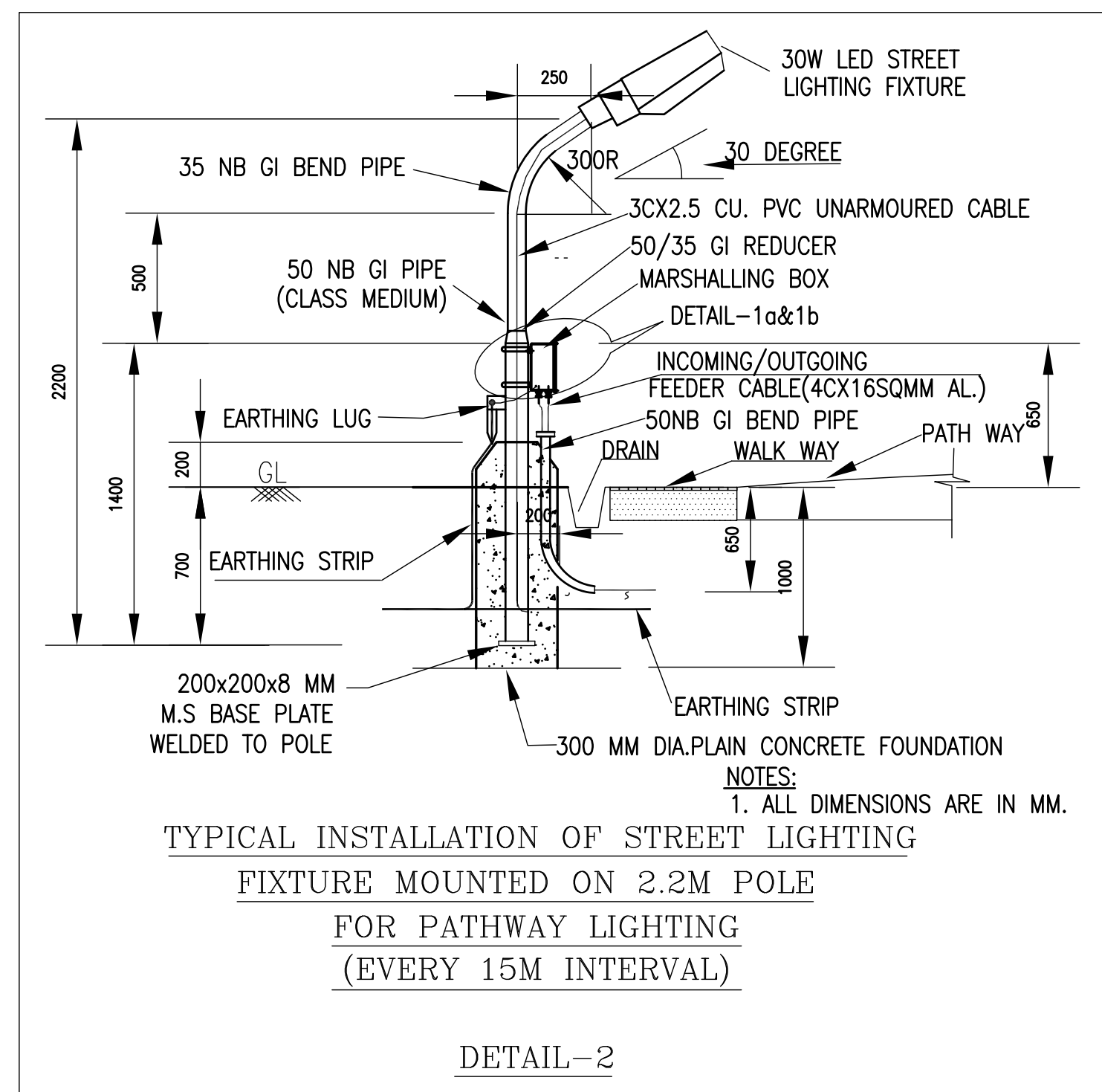


OUTDOOR ILLUMINATION FOR 25MW SITE



BOQ FOR PERIPHERY AND INTERNAL ROAD LIGHTING

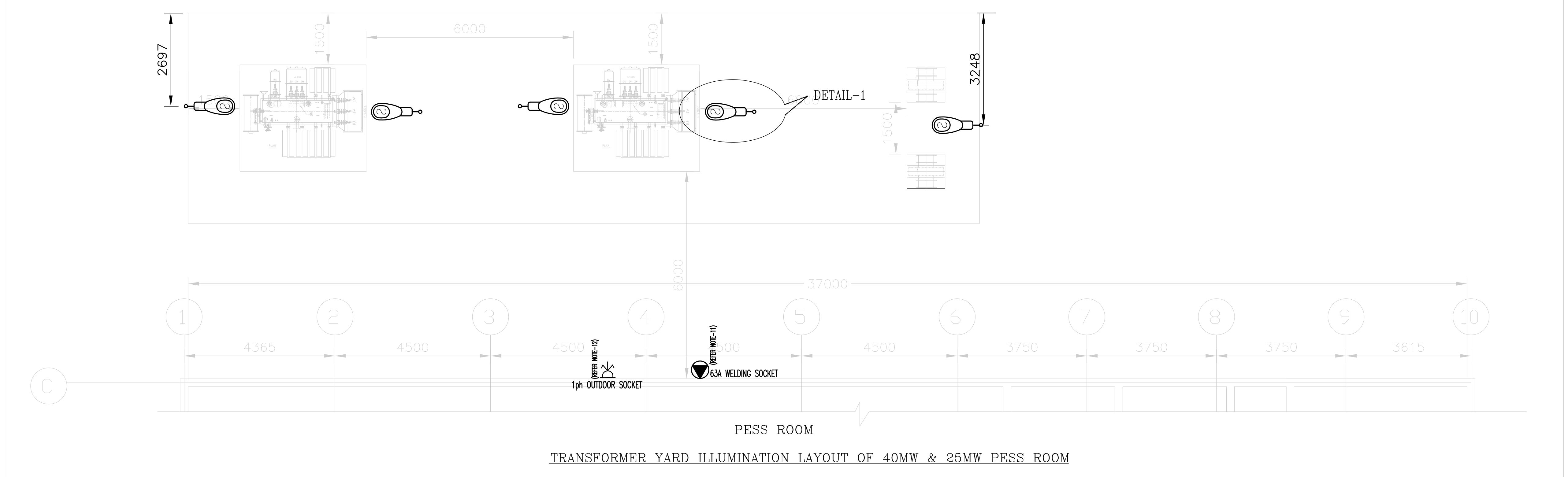
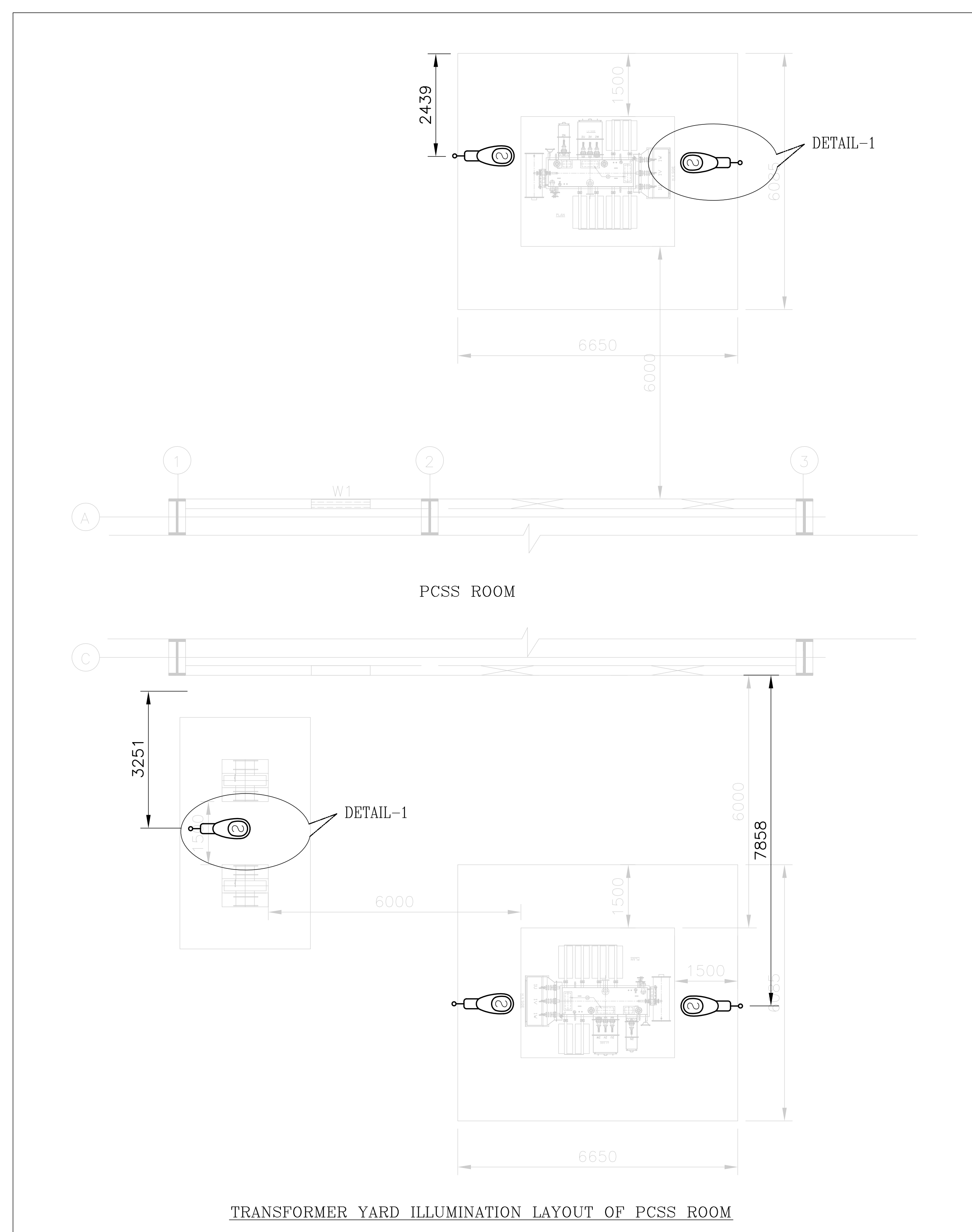
SL. NO.	LEGEND	DESCRIPTION	QTY.
01.		30W LED STREET LIGHTING FIXTURE OF PRESSURISED DIE CAST LM6 ALLOY HOUSING WITH PRISMATIC POLYCARBONATE COVER. FIXTURE MOUNTED ON 2.2M POLE FOR PATHWAY LIGHTING.	106 Nos.
02.		30W LED STREET LIGHTING FIXTURE OF PRESSURISED DIE CAST LM6 ALLOY HOUSING WITH PRISMATIC POLYCARBONATE COVER. FIXTURE MOUNTED ON 4.2M POLE FOR PERIPHERY LIGHTING.	201 Nos.
03.		2.2M STREET LIGHTING POLE WITH MARSHALLING BOX AND GI BEND PIPE FOR INCOMING/OUTGOING FEEDER CABLE.	106 Nos.
04.		4.2M STREET LIGHTING POLE WITH MARSHALLING BOX AND GI BEND PIPE FOR INCOMING/OUTGOING FEEDER CABLE.	201 Nos.
05.		4CX16 SQMM AL. PVC ARMoured CABLE FOR FEEDER CIRCUIT.	AS REQD.
06.		3CX2.5 SQMM CU. PVC UNARMoured CABLE FOR INTERNAL WIRING FROM MARSHALLING BOX TO FIXTURE.	AS REQD.

For Tender Purpose Only

- NOTES:**
- FOR OTHER DETAILS AND SWITCHYARD & TRANSFORMER YARD ILLUMINATION LAYOUT, REFER SHEET-3 OF THIS DRAWING.
  - DIMENSION SHOWN IN THE ARRAY LAYOUT ARE IN METER.

PROJECT :		65MWp SOLAR POWER PLANT			
CUSTOMER :		NEYVELI LIGNITE CORPORATION LTD. NEYVELI-TAMILNADU			
CONSULTANT :		BHARAT HEAVY ELECTRICALS LTD. UNIT : PE&SD-HYDERABAD			
DRN.	P. K. SARKAR	NAME	SIGN.	DATE	NO. OF VAR.
CHD.	SHADAB AHMED			26.08.16	NA
APPD.	P. SURESH			27.08.16	NA
				29.08.16	
UNTO. DIMS.	SCALE	WEIGHT (KG)	REF. TO ASSY. DRG.	ITEM NO.	NO. OF ITEMS
GR.		N.A.	N.A.	N.A.	N.A.
9/11/17					
TITLE		DRAWING NO.		REV.	
ILLUMINATION LAYOUT-OUTDOOR AREA		PY-LI-0-M088-8901-01		00	
SHT. No 02		NO. OF SHT.		03	

THE INFORMATION ON THIS DOCUMENT IS THE PROPERTY OF BHARAT HEAVY ELECTRICALS LIMITED. IT MUST NOT BE USED DIRECTLY OR INDIRECTLY IN ANY WAY DETRIMENTAL TO THE INTEREST OF THE COMPANY.



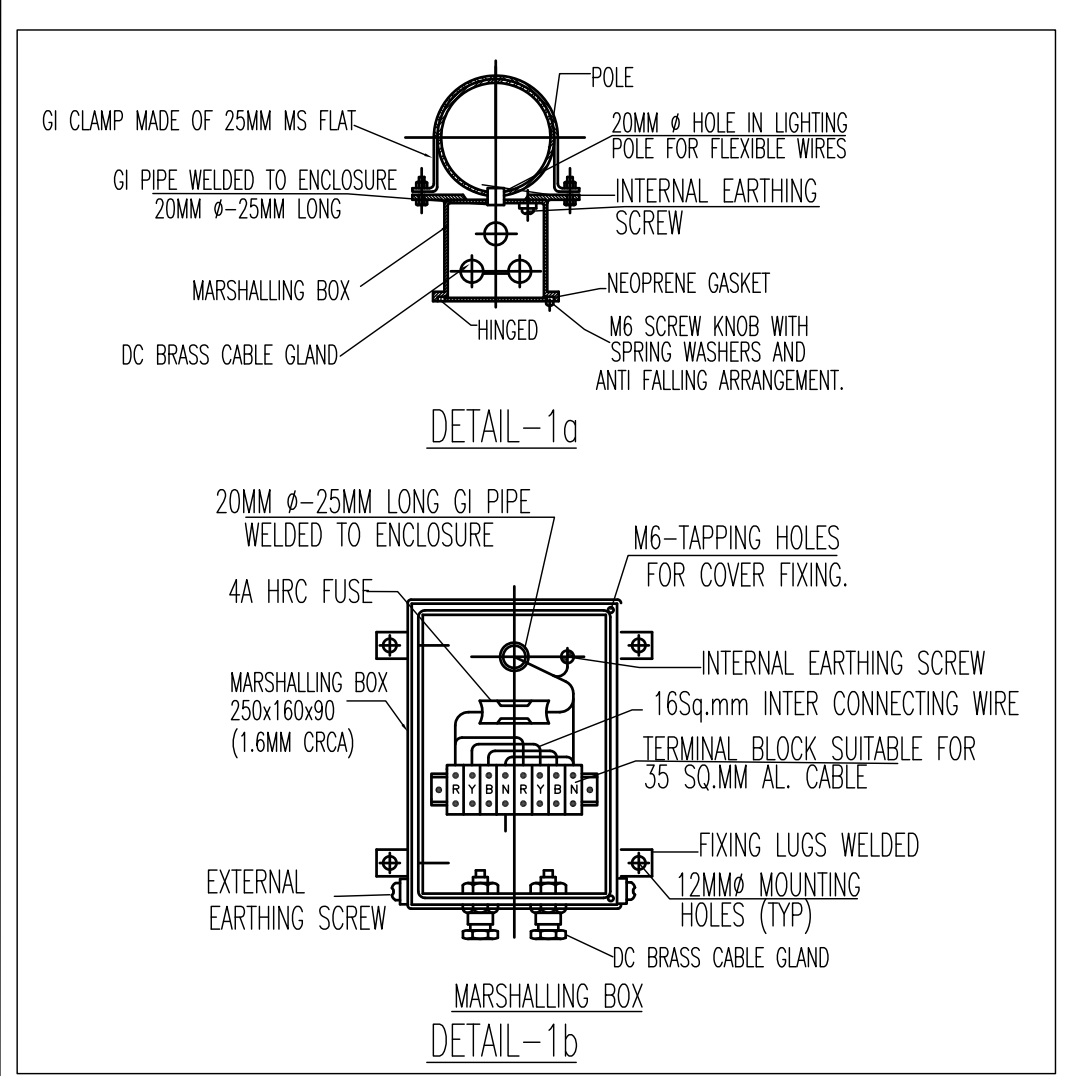
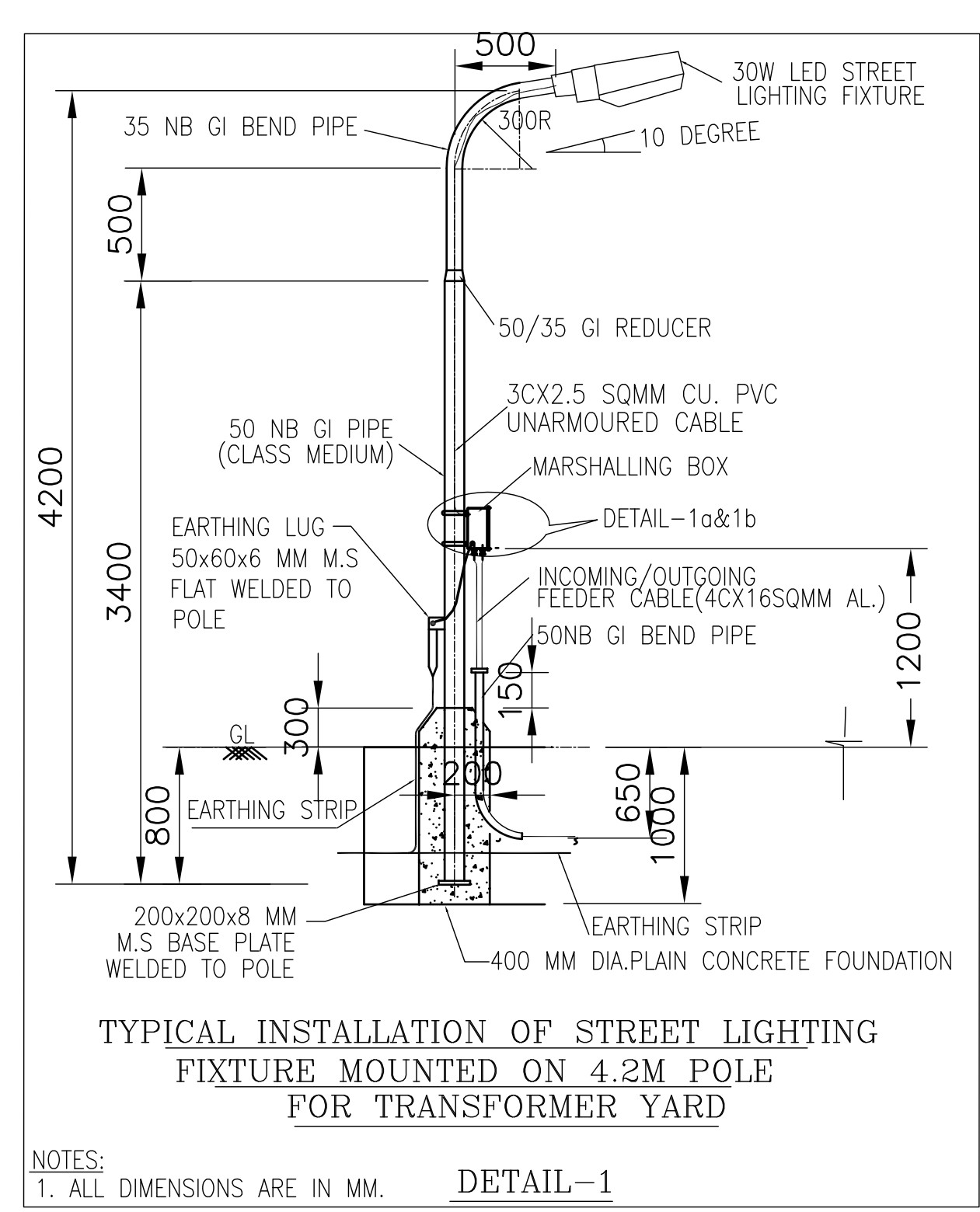
**BOQ FOR PCSS ROOM TRANSFORMER YARD**

SL. NO.	LEGEND	DESCRIPTION	QTY. FOR ONE PCSS ROOM	TOTAL QTY.
01.		30W LED STREET LIGHTING FIXTURE OF PRESSURISED DIE CAST LM6 ALLOY HOUSING WITH PRISMATIC POLYCARBONATE COVER. FIXTURE MOUNTED ON 4.2M POLE FOR INVERTER ROOM TRANSFORMER YARD.	05 Nos.	55 Nos.
02.		4.2M STREET LIGHTING POLE WITH MARSHALLING BOX AND GI BEND PIPE FOR INCOMING/OUTGOING FEEDER CABLE.	05 Nos.	55 Nos.
03.		4CX16 SQMM AL. PVC ARMURED CABLE FOR FEEDER CIRCUIT.	AS REQD.	AS REQD.
04.		3CX2.5 SQMM CU. PVC UNARMURED CABLE FOR INTERNAL WIRING FROM MARSHALLING BOX TO FIXTURE.	AS REQD.	AS REQD.

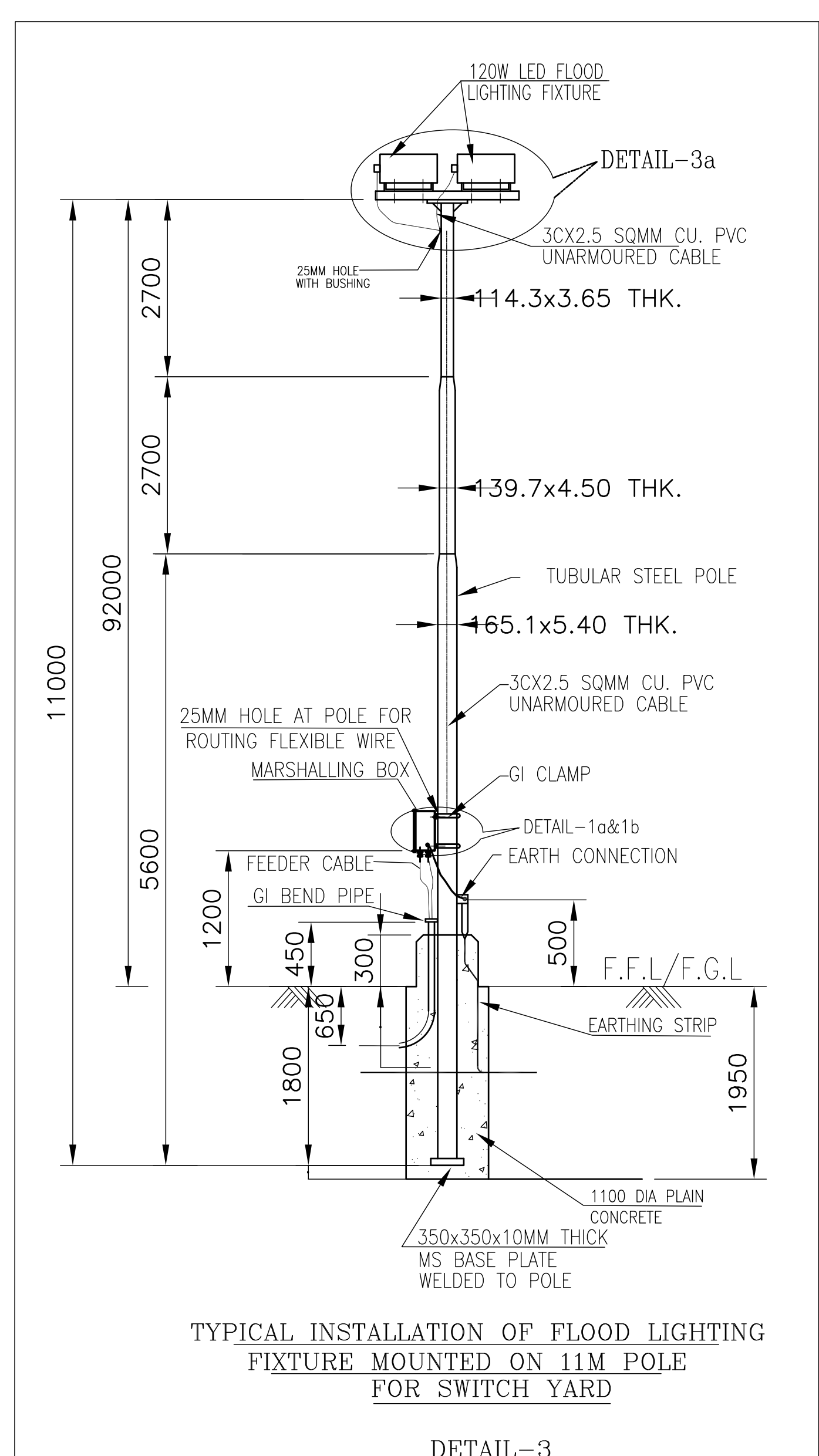
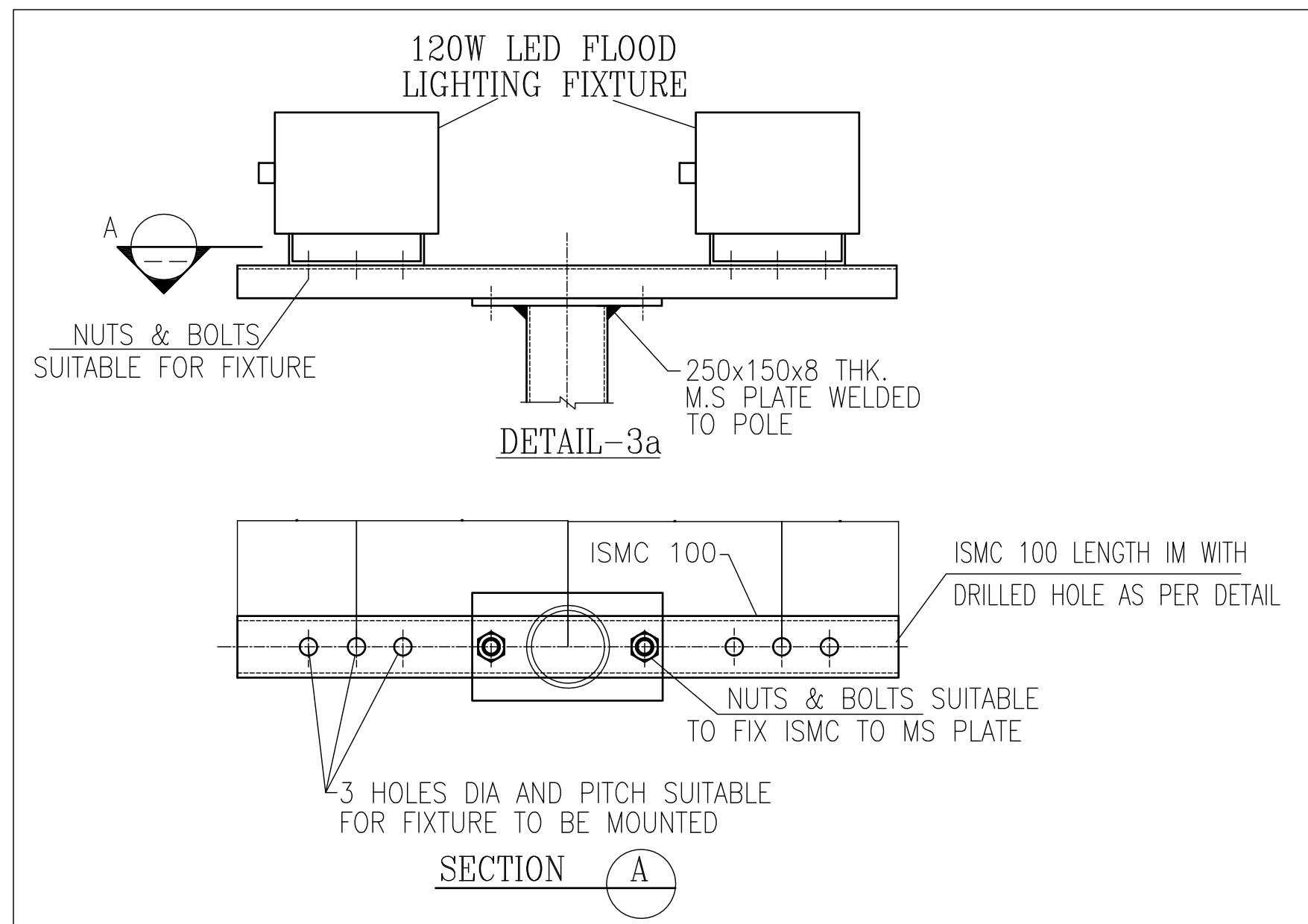
**BOQ FOR SWITCHYARD & PESS ROOM TRANSFORMER YARD**

SL. NO.	LEGEND	DESCRIPTION	QTY. FOR ONE AREA	TOTAL QTY.
01.		120W LED FLOOD LIGHTING FIXTURE OF PRESSURISED DIE CAST LM6 ALLOY HOUSING WITH SEPARATE DRIVER COMPARTMENT, HEAT SINK ETC. FIXTURE MOUNTED ON 11M POLE FOR SWITCH YARD.	04 Nos.	08 Nos.
02.		30W LED STREET LIGHTING FIXTURE OF PRESSURISED DIE CAST LM6 ALLOY HOUSING WITH PRISMATIC POLYCARBONATE COVER. FIXTURE MOUNTED ON 4.2M POLE FOR CMCS ROOM TRANSFORMER YARD.	05 Nos.	10 Nos.
03.		11M FLOOD LIGHTING POLE WITH MARSHALLING BOX AND GI BEND PIPE FOR INCOMING/OUTGOING FEEDER CABLE.	02 Nos.	04 Nos.
04.		4.2M STREET LIGHTING POLE WITH MARSHALLING BOX AND GI BEND PIPE FOR INCOMING/OUTGOING FEEDER CABLE.	05 Nos.	10 Nos.
05.		20A, 1PH, 230V METAL CLAD TYPE SOCKET (OUTDOOR TYPE)	01 Nos.	02 Nos.
06.		63A, 3PH, 415V WELDING SOCKET (OUTDOOR TYPE)	01 Nos.	02 Nos.
07.		4CX16 SQMM AL. PVC ARMURED CABLE FOR FEEDER CIRCUIT.	AS REQD.	AS REQD.
08.		3CX2.5 SQMM CU. PVC UNARMURED CABLE FOR INTERNAL WIRING FROM MARSHALLING BOX TO FIXTURE.	AS REQD.	AS REQD.

- NOTES:**
- LOCATION OF LIGHTING FIXTURES ARE INDICATIVE ONLY, EXACT LOCATION SHALL BE DECIDED AS PER SITE CONDITIONS TO CLEAR OTHER INTERFERENCES.
  - FIXTURES ARE TO BE FED FROM ACDB LOCATED AT NEARBY PCSS/PESS ROOM.
  - FIXTURES WILL BE GROUP CONTROLLED THROUGH AUTOMETIC TIMER WITH A FACILITY FOR MANUAL OVERRIDING.
  - LED STREET LIGHTING FIXTURES USED FOR ROAD LIGHTING TO BE MOUNTED ON 2.2 POLE (REFER DETAIL-2). MAXIMUM DISTANCE BETWEEN POLES SHALL BE 15M.
  - LED STREET LIGHTING FIXTURES USED FOR PERIPHERY LIGHTING TO BE MOUNTED ON 4.2 POLE (REFER DETAIL-1). MAXIMUM DISTANCE BETWEEN POLES SHALL BE 15M.
  - LIGHTING POLES SHALL BE ERECTED AND CIRCUIT CABLES SHALL BE LAID AND BURIED BEFORE PAVING IS DONE IN AN AREA.
  - 4CX16SQMM AL. ARMURED CABLE SAHLL BE USED FOR FEEDER CIRCUIT. 3CX2.5SQMM CU. PVC UNARMURED CABLE SHALL BE USED FOR WIRING OF FIXTURE FROM MARSHALLING BOX.
  - DISTANCE BETWEEN TWO SUCCESSIVE FIXTURES INDICATED IN THE LAYOUT ARE TO ACHIEVED DESIGN LUX LEVEL. SAME SHALL NOT BE EXCEED IN ANY CASE DURING INSTALLATION OF LIGHTING FIXTURE.
  - LED STREET LIGHTING FIXTURES USED FOR TRANSFORMER YARD LIGHTING TO BE MOUNTED ON 4.2 POLE (REFER DETAIL-1).
  - LED FLOOD LIGHTING FIXTURES USED FOR SWITCH YARD LIGHTING TO BE MOUNTED ON 11M POLE (REFER DETAIL-3).
  - LOCATION OF 63A WELDING SOCKET INDICATED IN THE DRAWING IS TENTATIVE, SAME SHALL BE DECIDED BASED ON THE ACTUAL REQUIREMENT. WELDING SOCKET SHALL BE DIRECTLY FED FROM ACDB OF PESS ROOM. PVC ARMURED CABLE SHALL BE USED FOR WIRING THE SAME.
  - LOCATION OF 20A, 1PH SOCKET INDICATED IN THE DRAWING IS TENTATIVE, SAME SHALL BE DECIDED BASED ON THE ACTUAL REQUIREMENT. 1PH, 20A SOCKET SHALL BE FED FROM POWER PANEL (PP-01) LOCATED AT PESS ROOM. PVC ARMURED CABLE SHALL BE USED FOR WIRING THE SAME.



**For Tender Purpose Only**



REV.	DATE	ALTERED	REV.	DATE	ALTERED	REV.	DATE	ALTERED	REV.	DATE	ALTERED	REV.	DATE	ALTERED	REV.	DATE	ALTERED	REV.	DATE	ALTERED	REV.	DATE	ALTERED	REV.	DATE	ALTERED	REV.	DATE	ALTERED	REV.	DATE	ALTERED	REV.	DATE	ALTERED												
1			2			3			4			5			6			7			8			9			10			11			12			13			14			15			16		

**PROJECT :** 65MWp SOLAR POWER PLANT

**CUSTOMER :** NEYVELI LIGNITE CORPORATION LTD. NEYVELI-TAMILNADU

**DRN.:** P. K. SARKAR, 26.08.16  
**CHD.:** SHADAB AHMED, 27.08.16  
**APPD.:** P. SURESH, 28.08.16

**UNIT :** PE&SD-HYDERABAD

**SCALE:** N.T.S. **WEIGHT (KG):** N.A. **REF. TO ASSY. DRG.:** N.A. **ITEM NO.:** N.A. **NO. OF ITEMS:** N.A.

**TITLE:** ILLUMINATION LAYOUT-OUTDOOR AREA

**DRAWING NO.:** PY-LI-0-M088-8901-01 **REV.:** 00

**SHT. No:** 03 **NO. OF SHT.:** 03

THE INFORMATION ON THIS DOCUMENT IS THE PROPERTY OF BHARAT HEAVY ELECTRICALS LIMITED. IT MUST NOT BE USED DIRECTLY OR INDIRECTLY IN ANY WAY DETRIMENTAL TO THE INTEREST OF THE COMPANY